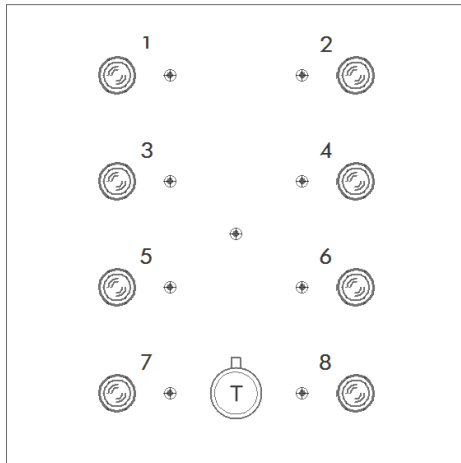
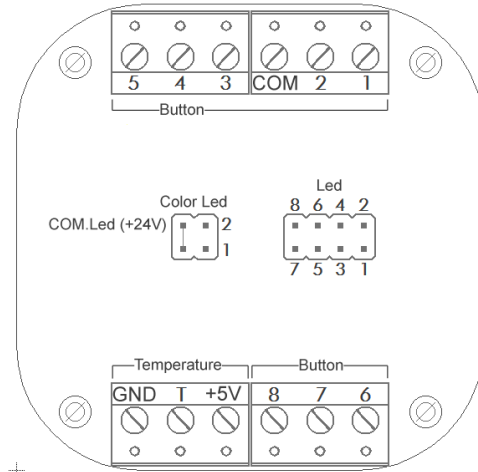




FRONT:



BACK:



Buttons:

COM: Ground 24V  
 Button 1-8: Switch contact 24V 50mA  
 Temperatuur sensor: GND 5V, T , +5V

Leds:

COM.led: +24V  
 Led 1-8: Ground 24V  
 Color Led 1-2: Ground 24V

|     |     |
|-----|-----|
|     | SVV |
| 1   |     |
| 2   |     |
| C   |     |
| 3   |     |
| 4   |     |
| 5   |     |
| 6   |     |
| 7   |     |
| 8   |     |
| +5V |     |
| T   |     |
| GND |     |